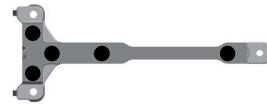


Front Suspension:

RESET

Ride Height:	16,5
Camber:	1,5
Toe:	1°
Anti-Roll Bar:	2mm
Arm Type:	Carbon
Tower Type:	RF-2
Wheelbase Shim:	arm back
Wheel Hex:	5mm
Caster Block:	8° <input type="checkbox"/> 9° <input checked="" type="checkbox"/> 10° <input type="checkbox"/>
Chassis Brace Support:	KIT
Top Plate Brace:	Carbon
Front Axles:	CVA <input type="checkbox"/> DCV <input type="checkbox"/>
Notes:	Dämpferbrücke vorne RF -2

Front Chassis Brace Screws:



Steering Rack: KIT



Axle Height: +3 +2 +1 0

Ball Stud Spacing: 0

Steering Plate: RF +2

Arm Mount A:



Ball Stud Spacing: 2



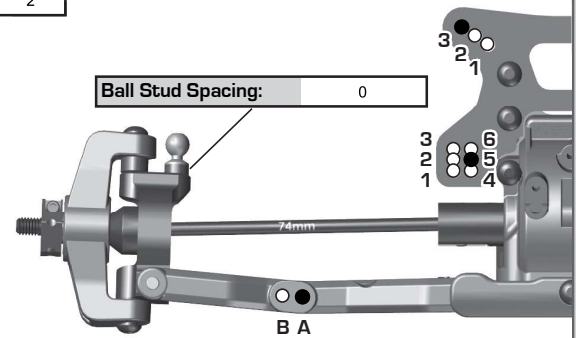
Ball Stud Spacing: 0

Arm Mount B:



Diff Height:

+2
+0



Rear Suspension:

Ride Height:	16,5mm
Camber:	2
Anti-Roll Bar:	2mm
Arm Type:	Carbon
Wheelbase Shim:	arm front
Wheel Hex:	6mm
Chassis Brace Support:	Carbon
Hub Spacing:	Fwd <input type="checkbox"/> Mid <input type="checkbox"/> Back <input checked="" type="checkbox"/>
Notes:	Dämpferbrücke hinten RF+5

Rear Chassis Brace Screws:



Diff Height:

+3
+2
+1
+0

Vertical Ball Stud Mount:



Arm Mount C:



Ball Stud Spacing:

Arm Mount D: 0,5

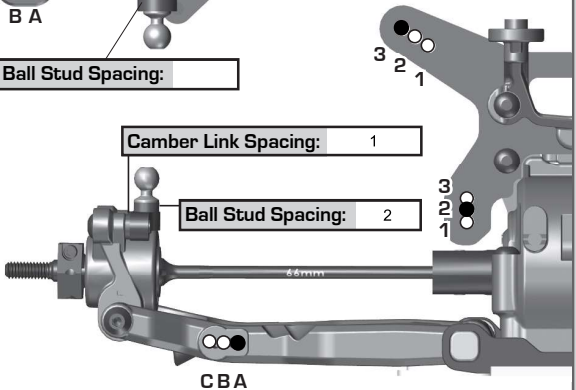


Axle Height:

▼0	3▲	+3
▼1	2▲	+2
▲1	2▼	+1
▲0	3▼	+0

Camber Link Spacing: 1

Ball Stud Spacing: 2



Electronics:

Radio:	Sanwa	Servo:			
EPA: Throttle:	100 %	Brake:	90 %		
ESC:	Hobbywing Xerun 10Pro				
ESC Settings:					
Motor / Wind:	7,5	Timing:	30		
Pinion:	22	Spur:	78		
Battery:					
Battery Position:					
Back	1 <input type="checkbox"/>	2 <input type="checkbox"/>	3 <input type="checkbox"/>	4 <input checked="" type="checkbox"/>	Forward
Battery Weight:					

Differential:

	Front	Center	Rear
Fluid:	15k	Slipper	10k
Gears:	4		4
Type:	LTC		LTC
Notes:	XRAY Slipper Alternativ Diff mit 4x Getrieberad		

Slipper Clutch:

Type:	XRAY mit Freilauf
# of Pads:	
Setting:	

Shocks:

	Front	Rear
Piston:	2x 1,7 +1	2x 1,8 +1
Thickness:	2	2
Fluid:	500	400
Spring:	Yellow	Blue
Limiters:	Int: 0 Ext: 0	Int: 0 Ext: 0
Stroke:	22,5	27,5
Eyelet Length:	0	0
Cup Offset:	5	0
Notes:	Original Brücke vo. +2mm Eyelet	



Track Info:

Size:	Small <input type="checkbox"/>	Medium <input type="checkbox"/>	Large <input checked="" type="checkbox"/>	Extra Large <input type="checkbox"/>
Surface:	Dirt <input type="checkbox"/>	Carpet <input type="checkbox"/>	Astroturf <input type="checkbox"/>	Multi Surface <input checked="" type="checkbox"/>
Traction:	Low <input type="checkbox"/>	Medium <input type="checkbox"/>	High <input checked="" type="checkbox"/>	Very High <input type="checkbox"/>
Moisture:	Dry <input type="checkbox"/>	Damp <input checked="" type="checkbox"/>	Wet <input type="checkbox"/>	
Condition:	Indoor <input type="checkbox"/>	Outdoor <input type="checkbox"/>	Bumpy <input type="checkbox"/>	Smooth <input type="checkbox"/>
Temperature:	Ambient:	Track:		
Vehicle Comments:				

Tires:

Front Tires / Compound / Insert / Wheel:	Schumacher Fusion 2 Gelb
Rear Tires / Compound / Insert / Wheel:	Schumacher Mezzo Gelb
Notes:	

Body, Wing, Weight:

Body:	
Front Wing:	Yes <input type="checkbox"/> No <input type="checkbox"/>
Rear Wing:	
Wing Angle:	0° <input type="checkbox"/> 6° <input type="checkbox"/>
Wing Mount Height:	0 <input type="checkbox"/> -2 <input type="checkbox"/>
Total Vehicle Weight:	